

Tender specification:

Oventrop electromotive actuators for quick two point control circuits without feedback with connection thread M 30 x 1.5. The actuator features a short operating time.

Models:	Item no.:
230 V, two point actuator	101 27 10
24 V, two point actuator	101 27 11

Performance data:

Operating current:	230 V AC, +10 up to -15%, 50 Hz 24 V AC, +20 up to -20%, 50 Hz
Power consumption:	1.8 W during operation 0.5 W stroke in final position
Drive:	two point (on/off)
Input current, control signal:	1 mA for 24 V, < 10 mA for 230 V
Parallel working:	max. of 5 actuators
Max. piston stroke:	6.5 mm
Operating power:	> 90 N
Floating time:	about 3 s
Protection:	IP 54
Protective system:	II according to EN 60730
Max. fluid temperature:	100°C
Ambient temperature:	0 °C up to +60 °C, not condensing
Connecting cable:	3-core cable, 1.5 m long

Installation and fitting:

Electrical connection must be carried out in accordance with the requirements of the local Electricity Board.

The connecting cable must not come into contact with the hot radiator or pipe as excessive heat will accelerate the ageing of the cable insulation.

The actuator is mounted with the help of the collar nut, no tools or adjustments are required. Oventrop electromotive actuators can be installed in any position, except for vertical downward position.

Application:

When used in combination with the corresponding controllers, Oventrop electromotive actuators “Aktor M 2P H” are used for heating, ventilation and air conditioning. In combination with Oventrop three-way valves, they can amongst others be used for quick switching operations in heating and cooling systems as well as for quick two point control circuits like fan convectors, induction air systems, small additional heaters and chillers.

The actuators can be combined with the following Oventrop valves with connection thread M 30 x 1.5:

- Thermostatic radiator valves, all series (except for “Series ADV 6”)
- Three-way conversion valves
- Regulating valves “Cocon 2TZ/QTZ” for chilled ceiling systems
- Three-way diverting and mixing valves
- Regulating valves “Hycococon ETZ/HTZ”

Function:

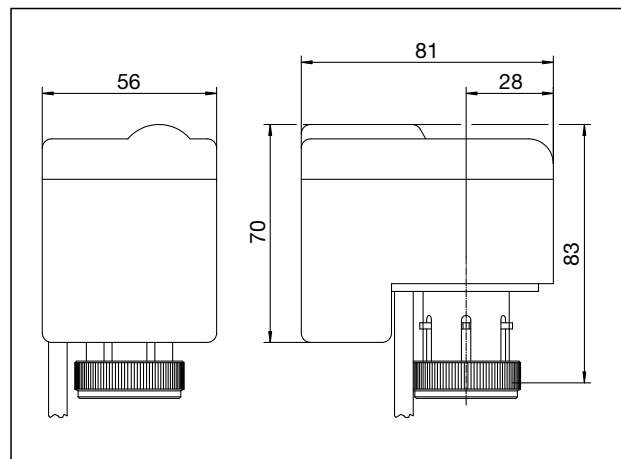
The drive stem of the electromotive actuator is activated in both directions via a gear inside the actuator. The stem opens up as soon as the contact of the brown lead is closed. As soon as the contact opens, the stem closes down.

The actuator also features an electronic cutoff function in case of overload and in the final positions of the stroke.

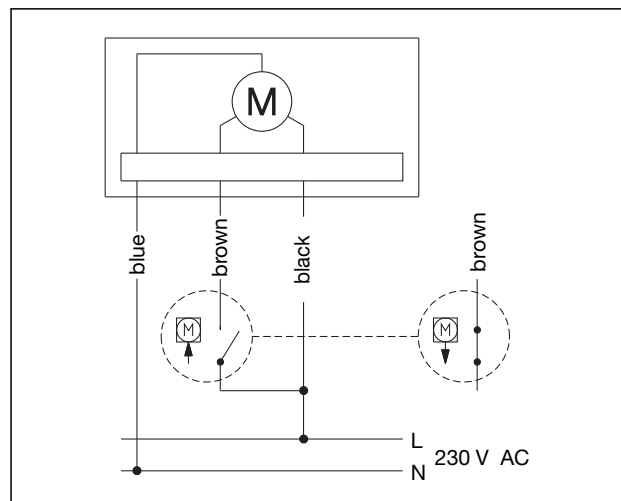
The maximum permissible length of the cable (3 x 1.5 mm²) between the actuator and the controller is 40 m. Should a pacifier (maximum of 1.5 nF) have been installed in the line, the maximum permissible length amounts to 15 m.



“Aktor M 2P H”



Dimensions



Wiring diagram

Brown lead energized
(contact closed) → Drive stem opens up

Brown lead not energized
(contact opened) → Drive stem closes down

Subject to technical modification
without notice.

Product range 1
ti 209-0/10/MW
Edition 2014

OVENTROP GmbH & Co. KG
Paul-Oventrop-Straße 1
D-59939 Olsberg
Germany

Telephone +49(0) 2962 82-0
Fax +49(0) 2962 82-450
E-Mail mail@oventrop.de
Internet www.oventrop.de

For an overview of our global
presence visit www.oventrop.de