

Application:

The Oventrop programme for solar energy allows for the connection of the collector to the storage cylinder within a solar circuit. Oventrop offers both, single components and pre-assembled units with suitable insulations. In installations in which the supply leading from the collector to the storage cylinder (heated collector liquid) and the return leading in opposite direction (cooled collector liquid) are installed in parallel, the “Regusol” station is used.

The filling and flushing device being a part of the “Regusol” programme, serves to supply the solar circuit with collector liquid and to drain the system for maintenance work.

To avoid any excess pressure within the solar circuit, the stations are equipped with a safety group with connection facility for an expansion tank. The “Regusol” components are suitable for commercial heat transfer liquids basing on glycol.

Advantages:

- high functional reliability
- all components from one supplier
- complete product assemblies (systems) available
- high quality materials
- time-saving installation
- max. short-term starting temperature 160 °C
- max. continuous operating temperature 120 °C
- with insulation

Tender specification:

“Regusol SH-180” DN 32 – Station with safety group

For the connection to the solar circuit DN 32.

All connections G 2 flat sealing

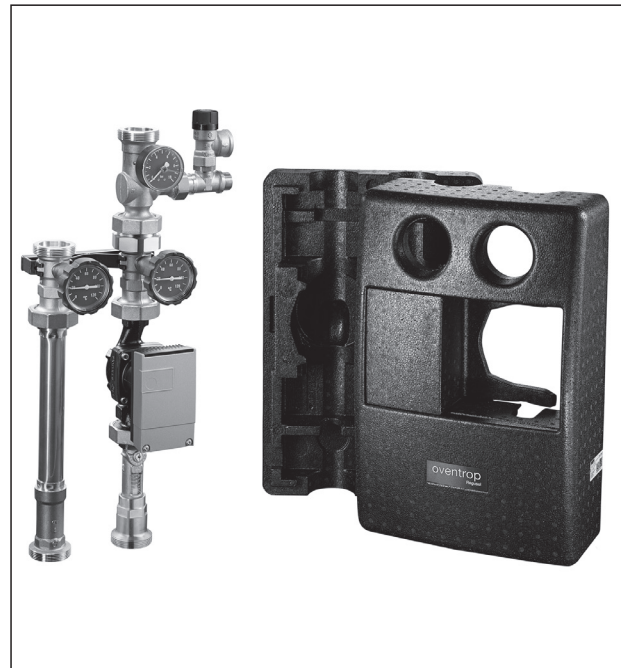
Technical data:

Distance between supply and return:	125 mm
Max. short-term starting temperature:	160 °C
Max. continuous operating temperature:	120 °C
Max. operating pressure:	PN 10 (20 °C)
Safety valve:	6 bar
Opening pressure check valves:	20 mbar

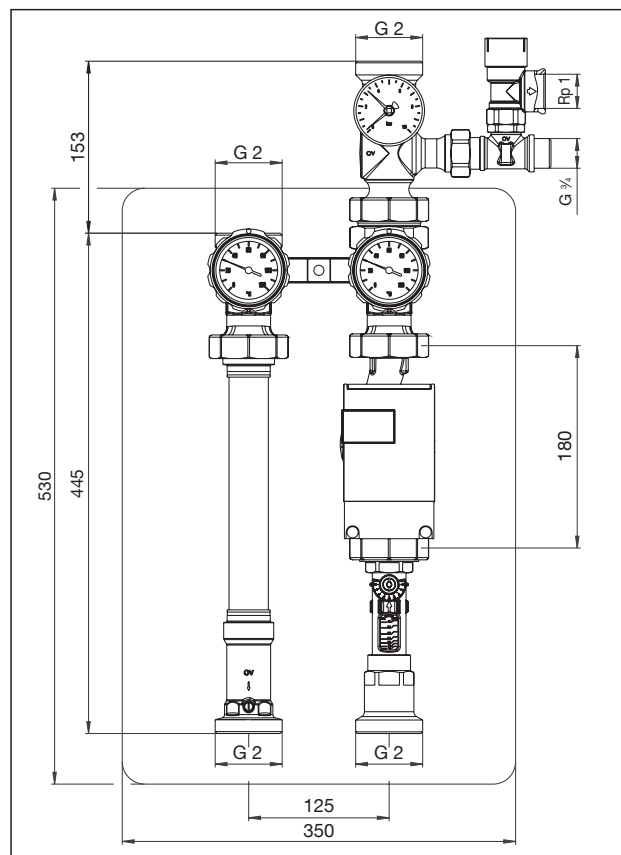
with high-efficiency pump	
Wilo-Stratos PARA 1-9 PWM 2	
Max. power consumption:	90 W
Max. pump head:	9 m
Max. delivery capacity:	5 m ³ /h

Item no.: 1368251

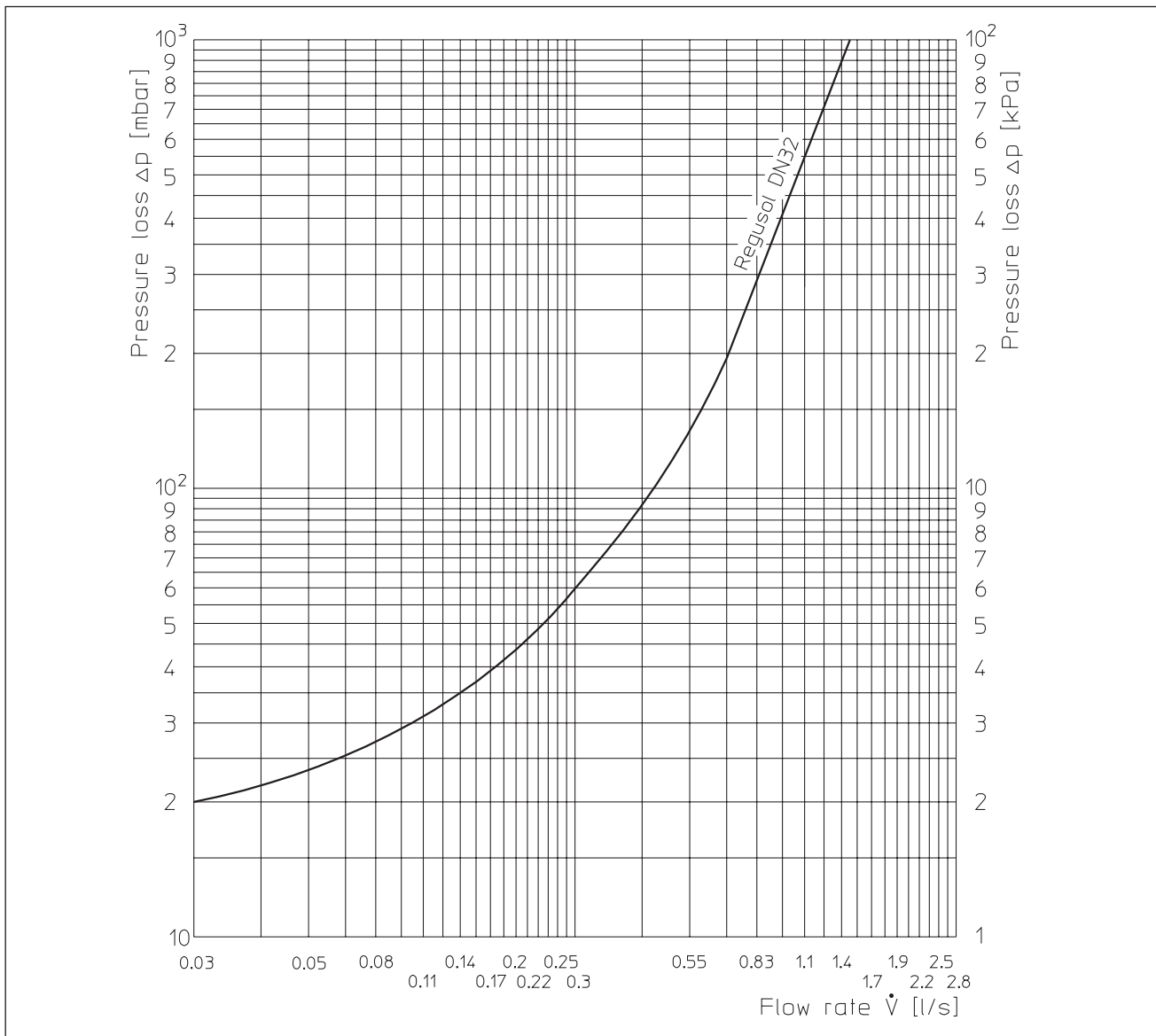
Flow measuring device:
10-40 l/min.



“Regusol SH-180” DN 32

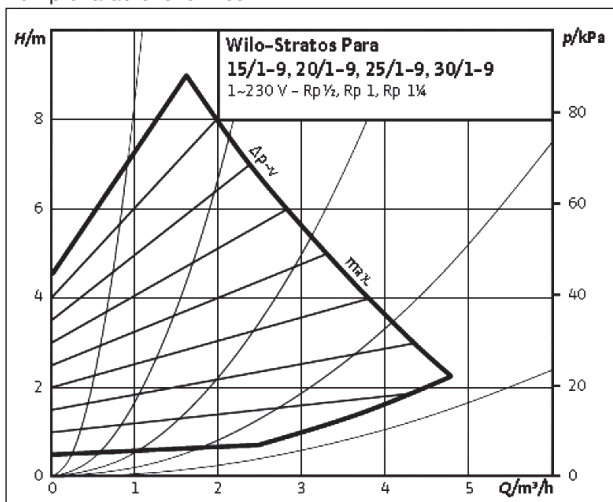


Dimensions “Regusol SH-180” DN 32



Flow chart “Regusol SH-180” DN 32

Pump characteristic lines



Subject to technical modifications without notice. .

Product range 9
ti 232-EN/10/MW
Edition 2017