



kiwa

(“Aquastrom F” valves)

Tender specification:

Bronze straight pattern valves “Aquastrom F/FR/KFR” PN 16 with plastic handwheel for use in potable water installations. Max. water temperature 120 °C. All functional components in one plane, maintenance-free stem seal due to double O-ring. DVGW certified, sound absorbing according to DIN EN ISO 3822: product group I. The different connection options in the sizes DN 15 up to DN 80 allow for the connection to different pipe materials, pipe connection fittings and the Oventrop pipe system “Copipe”.

Free-flow valves “Aquastrom F”

The valves with draining facility feature an additional draining orifice G ¼ closed with a blind plug in front of the seat. The valves without draining facility (except for item no. 42008..) feature plugged draining orifices G ¼ in front of and behind the seat.

As the draining orifices of the female threaded valves (item no. 42008..) are not drilled, these valves are also suitable for use with water meters.

All components in contact with the fluid are free from brass. If required, the free-flow valves can be converted to KFR valves by replacing the bonnet (except for item no. 42008..).

Free-flow valves with non-return check valve insert “Aquastrom FR”

These valves, which are of the same construction as the free-flow valves with draining orifices G ¼ additionally feature a non-return check valve insert reacting at low opening pressures. The valves are therefore suitable for use in systems with circulation pumps, especially in potable water circulation systems. A gravity or self-circulation is suitably avoided.

Combination free-flow valve and non-return check valve “Aquastrom KFR”

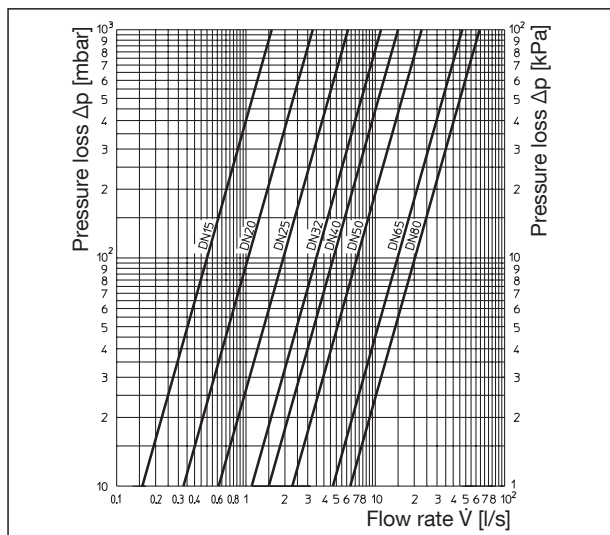
The non-return check valve integrated in the bonnet of the KFR valves allows for an easy conversion of a KFR valve to a free-flow only valve “Aquastrom F” by replacing the bonnet only and vice versa. The valves feature a draining and test orifice adjacent to the handwheel. The draining orifices G ¼ of the valves without draining facility are plugged.

Advantages:

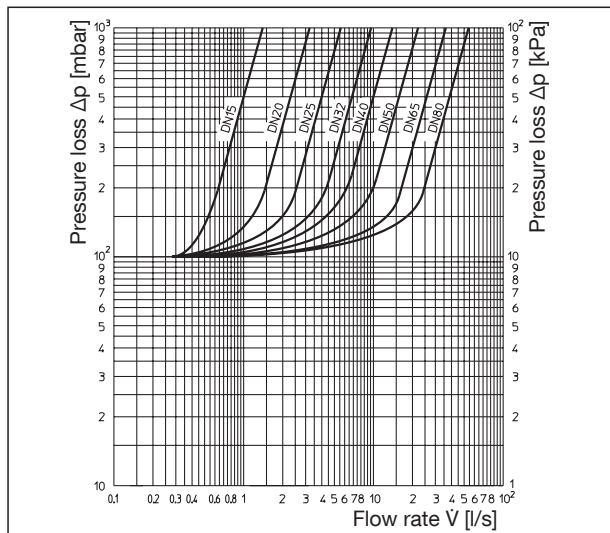
- easy operation due to the location of the test and draining orifice adjacent to the handwheel
- with tag for riser identification
- valve and couplings made of corrosion-resistant bronze
- DVGW and KIWA (“Aquastrom F” valves) certified (PN 10)
- valves very silent in operation
- sound absorbing according to DIN EN ISO 3822: product group I
- maintenance-free stem seal
- a draining ball valve can be mounted onto both draining orifices (except for item no. 42008 ..)
- low height
- non-rising stem on size DN 25 and above
- a draining ball valve which is available as accessory can be subsequently fitted to any valve body (except for item no. 42008 ..)
- connection of all standard pipes and compression fittings for sizes DN 15 and DN 20
- modern plastic handwheel in an appealing design
- subsequent conversion of installed free-flow valves to KFR valves by replacing the bonnet (except for item no. 42008 ..)



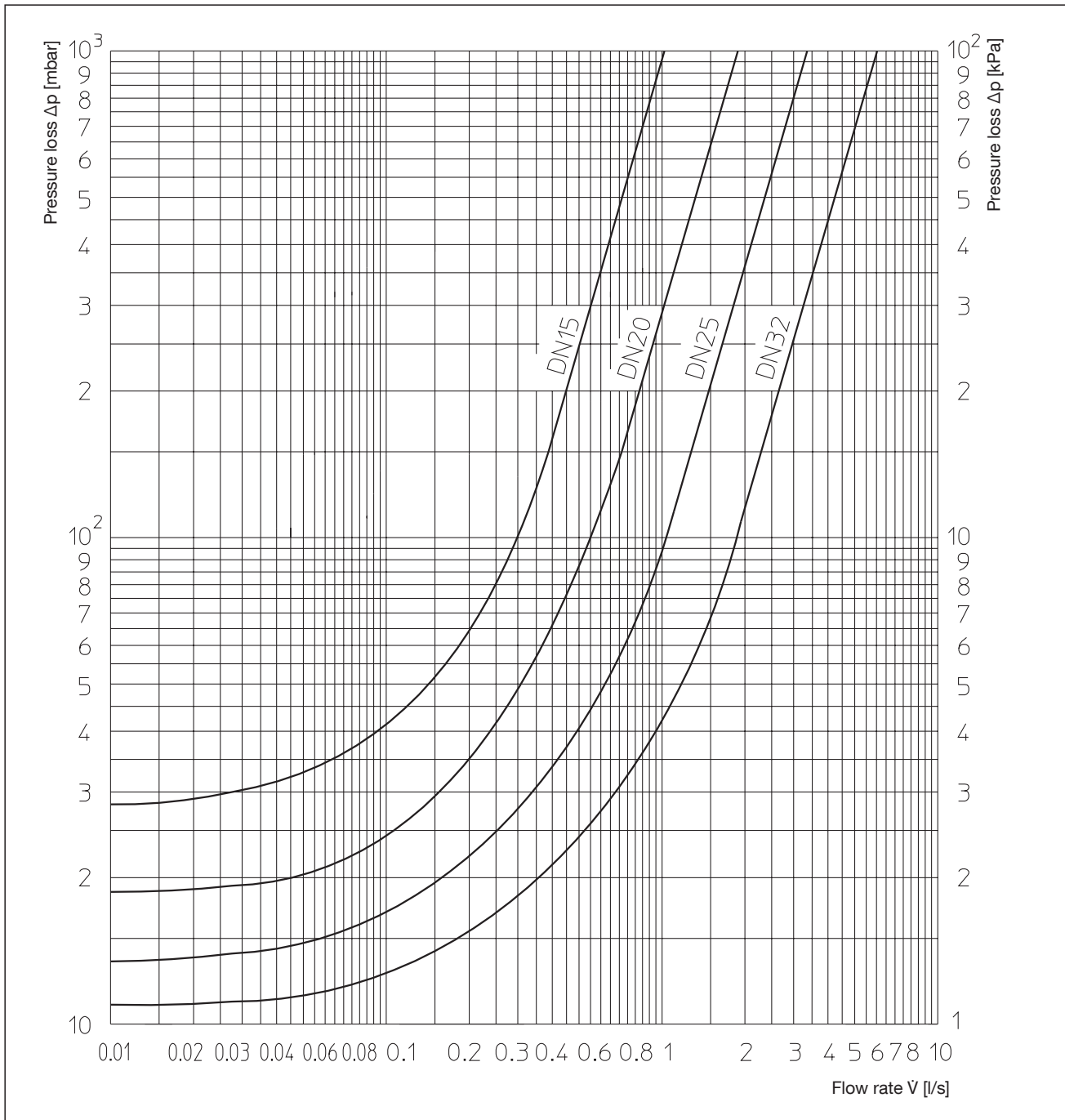
“Aquastrom F/FR/KFR”



Flow chart “Aquastrom F”



Flow chart “Aquastrom KFR”



Flow chart “Aquastrom FR”

**Free-flow valves “Aquaström F”
made of bronze, PN 16:**

DVGW, KIWA certified (PN 10)
Sound absorbing according to DIN EN ISO 3822: product group I

Application:
Potable water, industry

- Construction:
- all components in contact with the fluid free from brass
 - disc with PTFE seal and stem with EPDM seal
 - non-rising stem on size DN 25 and above
 - draining orifices G ¼ closed with plugs or with a plug and a draining ball valve (except for item no. 42008.. without drilled draining orifices)
 - plastic handwheel

**Free-flow valves with non-return check valve insert
“Aquaström FR”
made of bronze, PN 16:**

DVGW certified (PN 10)
Application:
Potable water, potable water circulation systems, industry
Construction identical to free-flow valves but additionally with non-return check valve insert reacting at low opening pressures.

**Combination free-flow valve and non-return check valve
“Aquaström KFR”
made of bronze, PN 16:**

DVGW certified (PN 10)
Sound absorbing according to DIN EN ISO 3822: product group I

Application:
Potable water, industry

- Construction:
- all components in contact with the fluid free from brass
 - disc with PTFE seal and stem with EPDM seal
 - guidance of disc made of stainless steel in plastic bearings
 - non-rising stem on size DN 25 and above
 - draining orifices G ¼ closed with plugs or with a plug and a draining ball valve
 - plastic handwheel

**Models:
both ports female thread according to EN 10226,
construction according to DIN 3502**

DN	D	L	Ø d	SW*	H (max.)
15	Rp ½	66.5	50	27	89
20	Rp ¾	76.5	50	32	102
25	Rp 1	91.5	65	41	104
32	Rp 1¼	110	80	50	124
40	Rp 1½	120	80	55	136
50	Rp 2	150	80	70	155

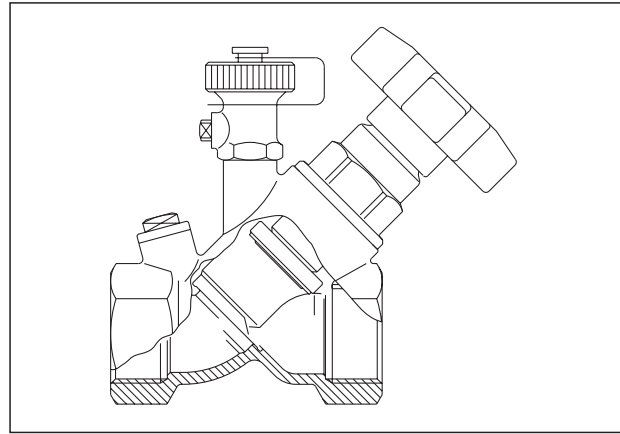
*SW = spanner size

Inlet port: Solder connection

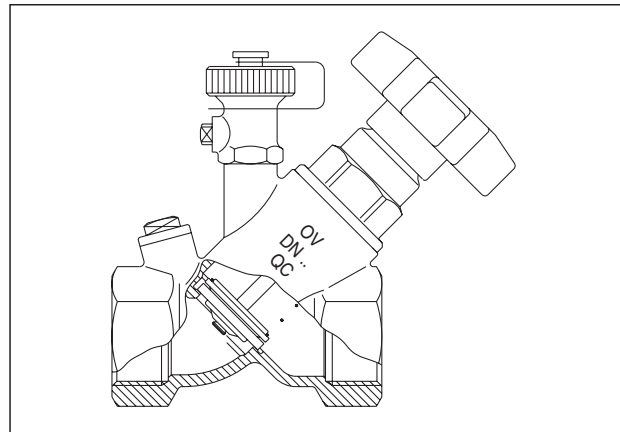
Outlet port: Male thread according to DIN ISO 228 with ring gasket, collar nut and solder tailpipe

DN	D ₁	D ₂	L	L ₁	Ø d	SW* ₁	SW* ₂	H (max.)
15	15	G ¾	79	99	50	24	30	89.5
15	18	G ¾	81	103	50	24	30	89.5
20	22	G 1	95	120	50	30	37	99.5
25	28	G 1¼	111	140	65	36	46	104
32	35	G 1½	130	164	80	41	52	124
40	42	G 1¾	148.5	187.5	80	50	58	136
50	54	G 2¾	170	214	80	60	75	155

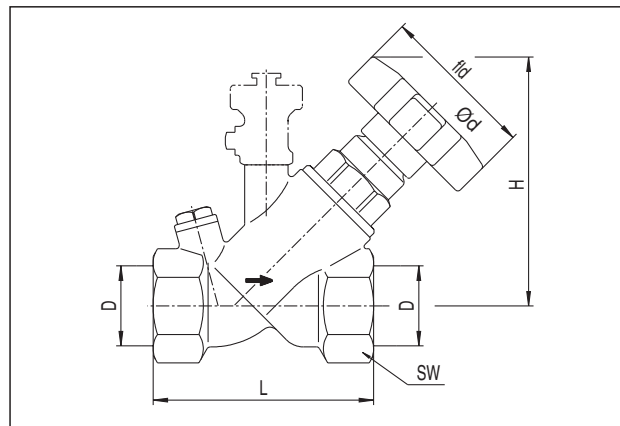
*SW = spanner size



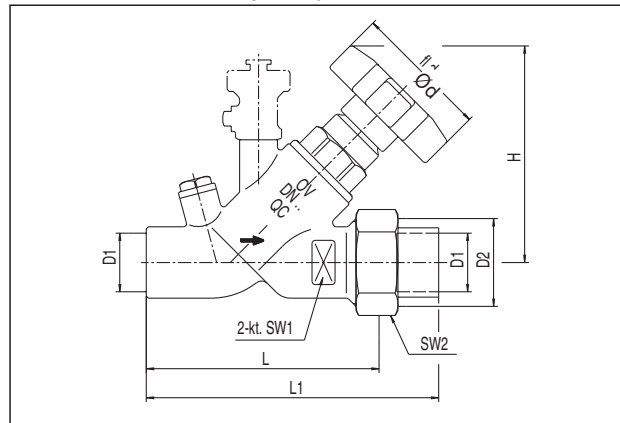
Free-flow valve “Aquaström F” with draining facility



Valve “Aquaström KFR” with draining facility



Item no.: 4201204-16 (F), 4206204-16 (KFR) with draining facility
Item no.: 4200804-16 (F), 4201004-16 (F), 4205804-16 (KFR) without draining facility

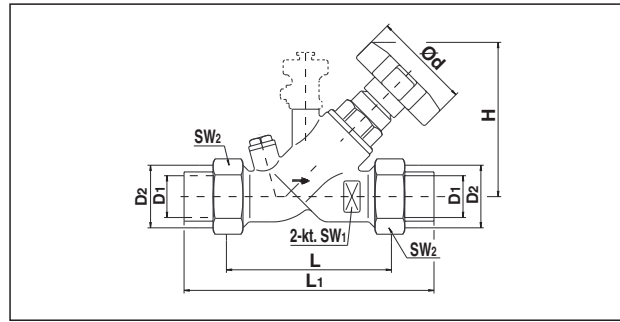


Item no.: 4204252-58 “Aquaström F” with draining facility
Item no.: 4203852-58 „Aquaström F“ without draining facility

both ports male thread according to DIN ISO 228, with ring gaskets, collar nuts and solder tailpipes

DN	D ₁	D ₂	L	L ₁	Ø d	SW* ₁	SW* ₂	H (max.)
15	15	G 3/4	84	124	50	24	30	89.5
15	18	G 3/4	84	128	50	24	30	89.5
20	22	G 1	95	139	50	30	37	99.5
25	28	G 1 1/4	110.5	160.5	65	36	46	104
32	35	G 1 1/2	124	182	80	41	52	124
40	42	G 1 3/4	139.5	218.5	80	50	58	136
50	54	G 2 3/8	158	246	80	60	75	155

*SW = Spanner size

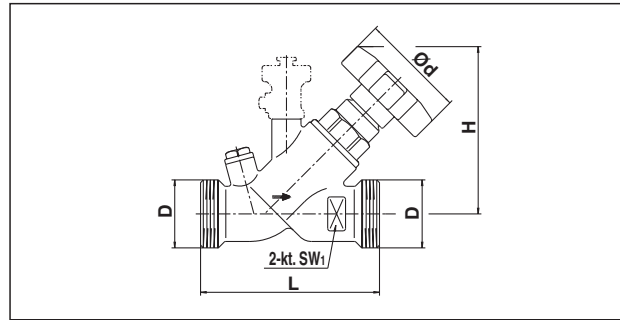


Item no.: 4202252-58 (F), 4208352-58 (KFR) with draining facility
Item no.: 4201852-58 (F), 4207952-58 (KFR) without draining facility

both ports male thread according to DIN ISO 228

DN	D	L	Ø d	SW* ₁	H (max.)
15	G 3/4	84	50	24	89.5
20	G 1	95	50	30	99.5
25	G 1 1/4	110.5	65	36	104
32	G 1 1/2	124	80	41	124
40	G 1 3/4	139.5	80	50	136
50	G 2 3/8	158	80	60	155
65	G 3	205	110	-	255
80	G 3 1/2	234	110	-	266

*SW = Spanner size

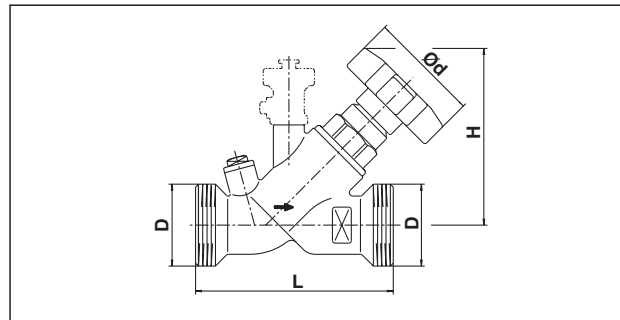


Item no.: 4202204-24 (F), 4208204-24 (KFR)
Item no.: 4202304-10 (FR) with draining facility
Item no.: 4201804-24 (F), 4207804-24 (KFR)
Item no.: 4202704-10 (FR) without draining facility

both ports male thread according to DIN ISO 228, for the connection of thick walled plastic pipes

DN	D	L	Ø d	SW*	H (max.)
15	G 1	94	50	24	89.5
20	G 1 1/4	104	50	30	99.5
25	G 1 1/2	115.5	65	36	104
32	G 2	132	80	41	124
40	G 2 1/4	147.5	80	50	136
50	G 2 3/4	165	80	60	155

*SW = Spanner size

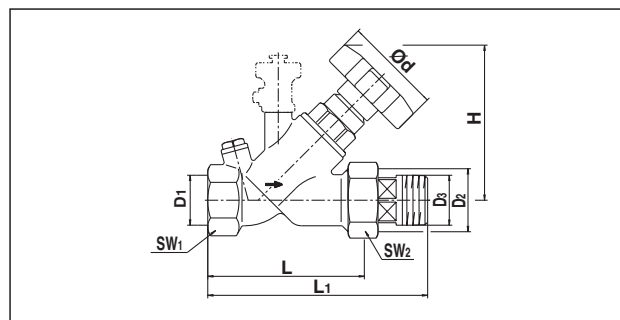


Item no.: 4202663-68 (F), 4208563-68 (KFR) with draining facility
Item no.: 4202463-68 (F), 4208363-68 (KFR) without draining facility

Inlet port: Female thread according to EN 10226
Outlet port: Male thread according to DIN ISO 228 with ring gasket, collar nut and threaded tailpipe

DN	D x D ₃	D ₂	L	L ₁	Ø d	SW* ₁	SW* ₂	H (max.)
15	Rp 1/2 x R 1/2	G 3/4	78.5	111.5	50	27	30	89.5
20	Rp 3/4 x R 3/4	G 1	91.5	127.5	50	32	37	99.5
25	Rp 1 x R 1	G 1 1/4	104.5	146.5	65	41	46	104
32	Rp 1 1/4 x R 1 1/4	G 1 1/2	121.5	169.5	80	50	52	124
40	Rp 1 1/2 x R 1 1/2	G 1 3/4	135.5	186.5	80	55	58	136
50	Rp 2 x R 2	G 2 3/8	157	214	80	70	75	155

*SW = Spanner size

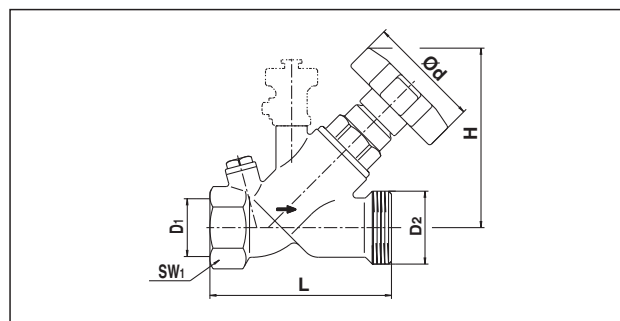


Item no.: 4203304-16 (F), 4207304-16 (KFR) with draining facility
Item no.: 4202904-16 (F), 4206904-16 (KFR) without draining facility

Inlet port: Female thread according to EN 10226
Outlet port: Male thread according to DIN ISO 228

DN	D ₁ x D ₂	L	Ø d	SW* ₁	H (max.)
15	Rp 1/2 x G 3/4	78.5	50	27	89.5
20	Rp 3/4 x G 1	91.5	50	32	99.5
25	Rp 1 x G 1 1/4	104.5	65	41	104
32	Rp 1 1/4 x G 1 1/2	121.5	80	50	124
40	Rp 1 1/2 x G 1 3/4	135.5	80	55	136
50	Rp 2 x G 2 3/8	157	80	70	155

*SW = Spanner size

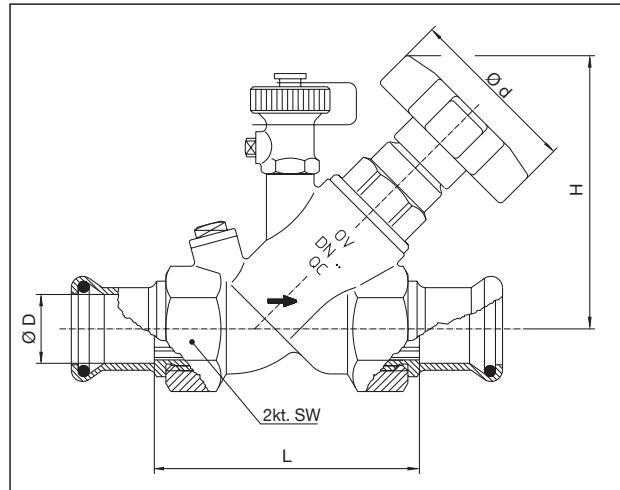


Item no.: 4203204-16 (F), 4207204-16 (KFR) with draining facility
Item no.: 4202804-16 (F), 4206804-16 (KFR) without draining facility

both ports bronze press fittings for the connection of copper pipes according to EN 1057 and stainless steel pipes “Niro-San”

DN	Ø D	L	d	SW*	H (max.)
15	15	72	50	27	89
15	18	72	50	27	89
20	22	84	50	32	102
25	28	99	65	41	104
32	35	119	80	50	124
40	42	129	80	55	136
50	54	159	80	70	155

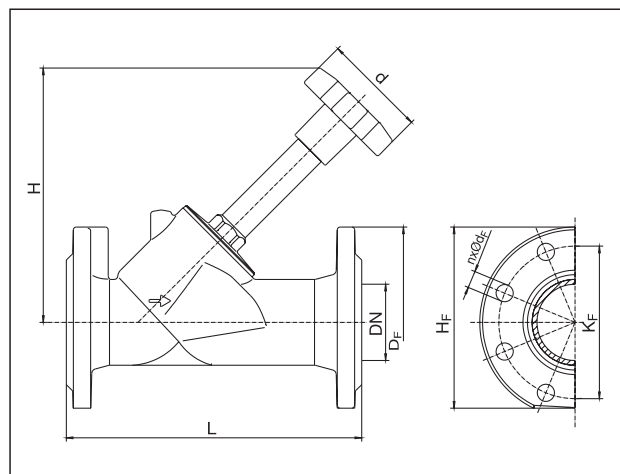
*SW = Spanner size



Item no.: 4201252-58 (F), 4206252-58 (KFR), with draining facility

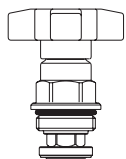
both ports round flanges according to DIN EN 1092-3, PN 16, bronze

DN	L	D _F	K _F	H _F	H	d	n x Ø d _F
65	290	185	145	175	250	110	4 x 18
80	310	200	160	190	267	110	8 x 18



Item no.: 4204452 (F), 4209452 (KFR), with draining facility
Item no.: 4204352 (F), 4209352 (KFR), without draining facility

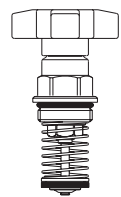
Accessories:



Bonnets for valve bodies of the free-flow valves “Aquastrom F” and the valves “Aquastrom KFR”

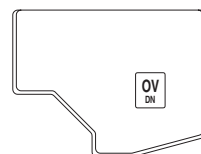
Bonnet for free-flow valves

Bronze	Item no.:
DN 15	4209004
DN 20	4209006
DN 25	4209008
DN 32	4209010
DN 40	4209012
DN 50	4209016
DN 65	4209020
DN 80	4209024



Bonnet for “KFR” valves

DN 15	4209504
DN 20	4209506
DN 25	4209508
DN 32	4209510
DN 40	4209512
DN 50	4209516
DN 65	4209520
DN 80	4209524



Insulation shells

for free-flow valves “Aquastrom F”, valves “Aquastrom KFR and thermostatic regulating valves “Aquastrom T”

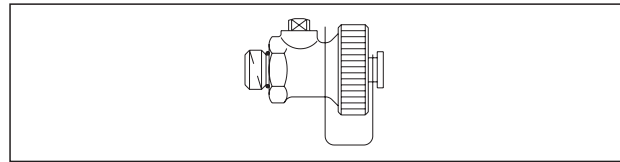
Item no.:	
DN 10 – DN 15	1060081
DN 20	1060082
DN 25	1060083
DN 32	1060084
DN 40	1060085
DN 50	1060086

Insulation shells (two part) made of polyurethane with tongue-and-groove fitting.

Accessories sets:

Set no. 1: 1 Draining ball valve G 1/4

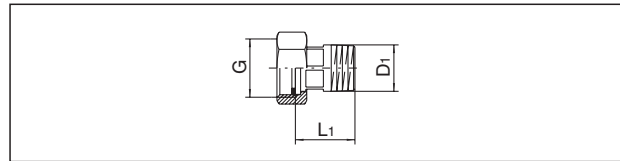
with hose connection G 3/4 and cap
(components in contact with the fluid free from brass)



Set no.1 Item no.: 4200191

Set no. 2: Tailpipe with male thread according to EN 10226 (bronze), collar nut and ring gasket

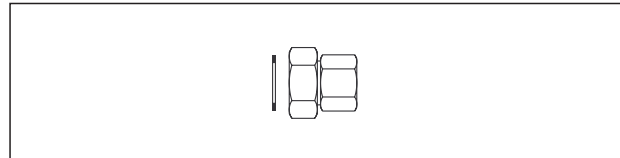
DN	Valve connection thread	L ₁	D ₁ acc. to EN 10226
15	G 3/4	31	R 1/2
20	G 1	34	R 3/4
25	G 1 1/4	40	R 1
32	G 1 1/2	46	R 1 1/4
40	G 1 3/4	49	R 1 1/2
50	G 2 3/8	55	R 2



Set no. 2 Item no.: 4201472-77

Set no. 3: Tailpipe with female thread according to EN 10226 (bronze), collar nut and ring gasket

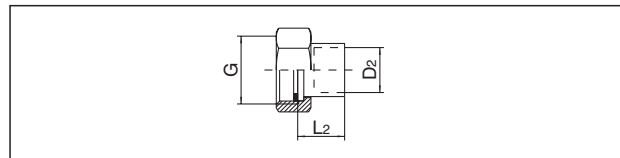
DN	Size
15	Rp 1/2 x G 3/4 collar nut
20	Rp 3/4 x G 1 collar nut
25	Rp 3/4 x G 1 1/4 collar nut
25	Rp 1 x G 1 1/4 collar nut
32	Rp 1 1/4 x G 1 1/2 collar nut
40	Rp 1 1/2 x G 1 3/4 collar nut
50	Rp 2 x G 2 3/8 collar nut
65	Rp 2 1/2 x G 3 collar nut
80	Rp 3 x G 3 1/2 collar nut



Set no. 3 Item no.: 4201372-79

Set no. 4: Solder tailpipe (bronze), collar nut and ring gasket

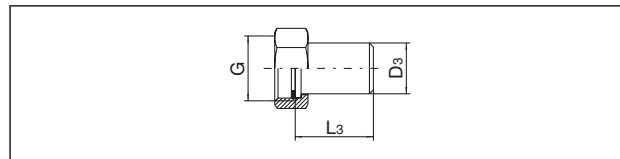
DN	Valve connection thread	L ₂	D ₂
15	G 3/4	18	15
15	G 3/4	20	18
20	G 1	23	22
25	G 1 1/4	27	28
32	G 1 1/2	32	35
40	G 1 3/4	37	42
50	G 2 3/8	42	54



Set no. 4 Item no.: 4202072-78

Set no. 5: Weldable tailpipe (steel), collar nut and ring gasket

DN	Valve connection thread	L ₃	D ₃
15-50	G 3/4 - G 2 3/8	35-50	20.5-60



Set no. 5 Item no.: 4200572-77

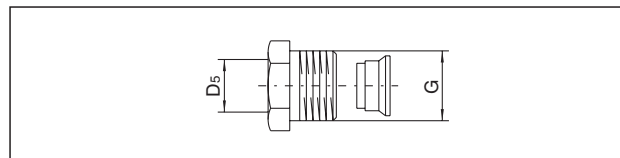
Bronze or stainless steel connection fittings

System mapress/System Viega

flat sealing with collar nut or as screw-in fitting for copper or stainless steel pipes, also with silicone-free seals

Ø 15 mm-Ø 54 mm System Mapress Item no.: 42015..

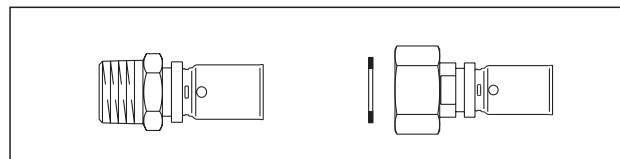
Ø 15 mm-Ø 54 mm System Viega Item no.: 42016..



Item no.: 1027150-58

Sets of compression fittings for copper pipes, compression nut and compression ring made of brass

DN	G	D ₅
15	G 1/2	10 mm
15	G 1/2	12 mm
15	G 1/2	14 mm
15	G 1/2	15 mm
15	G 1/2	16 mm
20	G 3/4	18 mm
20	G 3/4	22 mm



Press connection system "Cofit P" for female and male threaded connection

"Combi-System" see catalogue "Products"

Product range 13

DVGW reg.-no. DW-8501AT2407

Composition pipe "Copipe"

DN 12 (16 mm) - DN 32 (40 mm)

Press connection with male thread "Cofit P"

DN 12 (16 mm) - DN 32 (40 mm)

Press connection with collar nut "Cofit P" with flat seal

DN 12 (16 mm) - DN 32 (40 mm)

Compression fittings "Cofit S", male thread

DN 12 (16 mm) - DN 25 (32 mm)

Nipples "Cofit S"

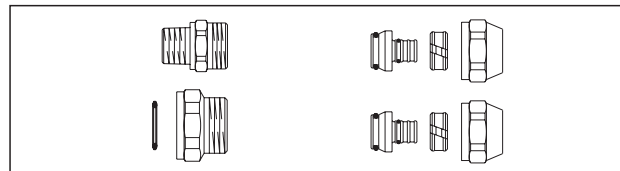
for the connection to valves and fittings with female thread

DN 12 (16 mm) - DN 25 (32 mm) (pipe dimension)

Connection fittings "Cofit S" with flat seal

for the connection to valves and fittings with male thread

DN 12 (16 mm) - DN 25 (32 mm) (pipe dimension)



Screwed connection system "Cofit S" for female and male threaded connection

Subject to technical modifications without notice.

Product range 12

ti 95-EN/10/MW

Edition 2016