

# oventrop

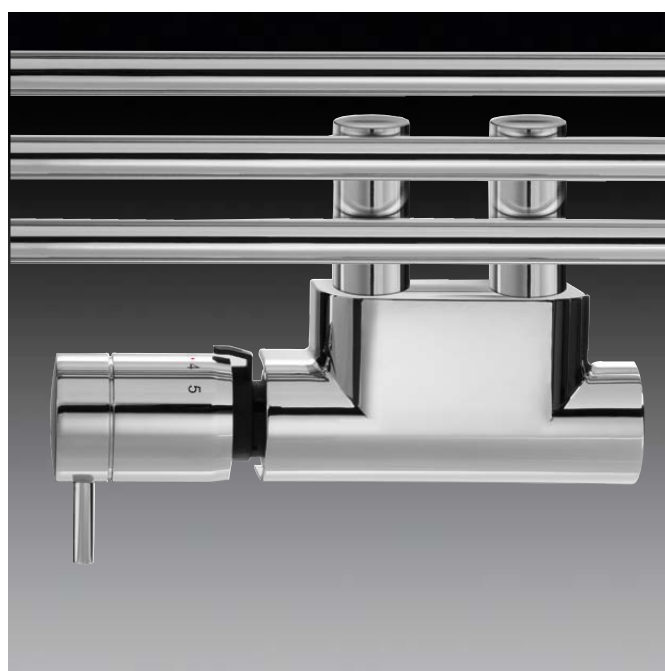
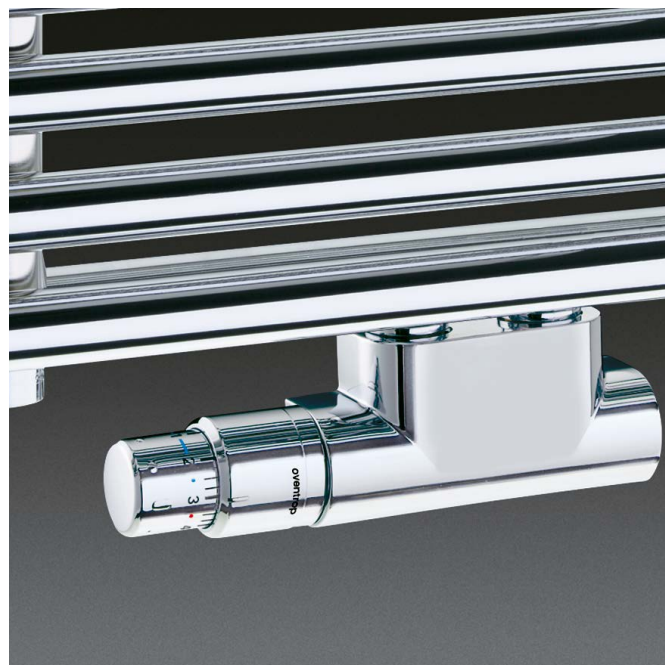
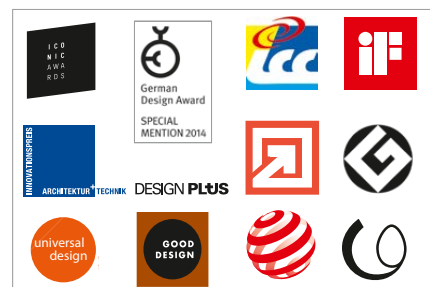
Innovation + Quality

Valves, controls + systems

Thermostats “Uni SH” / “**pinox H**” and fittings “Multiblock T/TF” for modern radiators and towel radiators

Product range

Awards

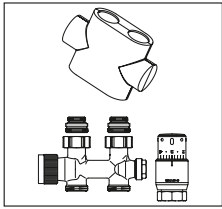


Article

Article-No.

Hint

### Connection sets “Multiblock T/TF” / “Uni SH” for towel radiators (radiators with female thread Rp ½)



#### Straight pattern

consisting of:  
 “Multiblock T”,  
 connection fitting with presetting,  
 two pipe fitting  
 Design cover  
 “Uni SH” Thermostat with liquid sensor  
 “SH -Cap”

white  
 chrome plated  
 stainless steel finish

**1184183**  
**1184283**  
**1184383**

With the combinations consisting of the thermostats “Uni SH” and “pinox H”, the connection fittings “Multiblock T/TF” and the design covers, Oventrop offers an optically and technically balanced solution for the connection to modern radiators and towel radiators (distance between pipe centres 50 mm). The thermostats “Uni SH” and “pinox H” may also be combined with the exclusive radiator valves of the “Series E” (see catalogue “Products”).

The stylish design covers of the thermostats and connection fittings in white, chrome plated and stainless steel finish create a smart optical harmony with the radiators.

“Multiblock T” for use on radiators with supply and return pipe connection. Distance between pipe centres 50 mm.

#### Marking “OV 2” on valve body.

To be used:

- for two pipe operation
- as thermostatic valve
- as isolating fitting
- for draining
- for filling

**1184184**  
**1184284**  
**1184384**

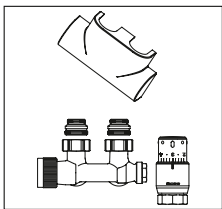
“Multiblock T” also available as one/two pipe fitting (convertible).

#### Marking “OV 1+2” on valve body.

“Multiblock TF” as one/two pipe fitting (convertible).

“Uni SH”:

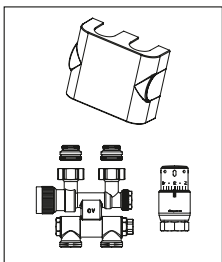
with ‘0’ setting,  
 temperature range 7-28 °C  
 graduation on cap 0 \* 1-5



#### Angle pattern

consisting of:  
 “Multiblock T”,  
 connection fitting with presetting,  
 two pipe fitting  
 Design cover  
 “Uni SH” Thermostat with liquid sensor  
 “SH -Cap”

white  
 chrome plated  
 stainless steel finish



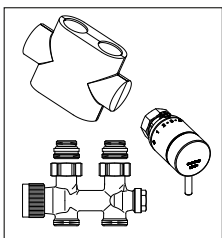
#### Swivelling supply/return pipe connection

consisting of:  
 “Multiblock TF”  
 connection fitting with presetting,  
 one/two pipe fitting  
 Design cover  
 “Uni SH” Thermostat with liquid sensor  
 “SH -Cap”

white  
 chrome plated

**1184135**  
**1184235**

### Connection sets “Multiblock T” / “pinox H” for towel radiators (radiators with female thread Rp ½)



#### Straight pattern

consisting of:  
 “Multiblock T”  
 connection fitting with presetting,  
 two pipe fitting  
 Design cover  
 “pinox H” Thermostat with liquid sensor

white  
 chrome plated

**1184185**  
**1184285**

“pinox H”:

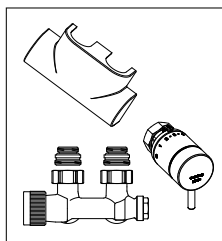
without ‘0’ setting,  
 temperature range 7-28 °C  
 graduation on cap 0 \* 1-5

Further information can be found on our homepage: [www.oventrop.de](http://www.oventrop.de)

Subject to technical modification without notice.

Private persons may purchase our products from their qualified installer.

Presented by:



#### Angle pattern

consisting of:  
 “Multiblock T”  
 connection fitting with presetting,  
 two pipe fitting  
 Design cover  
 “pinox H” Thermostat with liquid sensor

white  
 chrome plated

**1184186**  
**1184286**

OVENTROP GmbH & Co. KG  
 Paul-Oventrop-Straße 1  
 D-59939 Olsberg  
 Germany  
 Telephone +49 (0) 29 62 82-0  
 Fax +49 (0) 29 62 82-450  
 E-Mail [mail@oventrop.de](mailto:mail@oventrop.de)  
 Internet [www.oventrop.de](http://www.oventrop.de)

